

Attn.: _____

HIROSE ELECTRIC CO., LTD.
5-23, OSAKI 5-CHOME, SHINAGAWA-KU, TOKYO, JAPAN

Product Change Notification

We are writing today to inform you that we will make some changes as shown in the subject for the reason described below.

We will announce them in advance.

1	Products affected	FI Series (Please refer to the attachment 1 for the details of product name.)
2	Replacement product	No change in product code and product name.
3	Classification of change	Specification change
4	Changes	The shape and dimension of the lock spring will be changed. Please refer to the attachment 2 for the details. These changes will not affect the performances of the product.
5	Reason for change	For aging of equipment and improving insertability.
6	Timing of change	April 1, 2019
7	Date of your acknowledgement	By March 29, 2019

We kindly request that you inform Hirose business representative of your acknowledgement by the aforesaid date.

In the absence of a response by this date, please be advised that replacement product that described above will be delivered.

If you should have any questions, please feel free to contact a Hirose business representative.

Your understanding and cooperation are highly appreciated.

■ Product List Business430-18022_FI Series Lock spring shape and dimension change

No.	Current product		Replacement product	
	Product code	Product name	Product code	Product name
1	230-0530-2-50	FI-2015-CVS(50)	No change in product code and product name.	
2	230-0501-4-60	FI-20-CV(60)		
3	230-0504-2-50	FI-20-CV2(50)		
4	230-0506-8-50	FI-20-CV3(50)		
5	230-0513-3-50	FI-20-CV4(50)		
6	230-0515-9-50	FI-20-CV5(50)		
7	230-0531-5-50	FI-20-CVS2(50)		
8	230-0532-8-50	FI-20-CVS5(50)		
9	230-0509-6-50	FI30-20S-CV2(50)		
10	230-0526-5-60	FI40B-2015S-CV(60)		
11	230-0533-0-50	FI40B-2015S-CVS(50)		
12	230-0540-6-00	FI40B-20S-CV2		
13	230-0520-9-50	FI40B-20S-CV5(50)		
14	230-0539-7-00	FI40B-20S-CVS2		
15	230-0535-6-50	FI40B-20S-CVS5(50)		

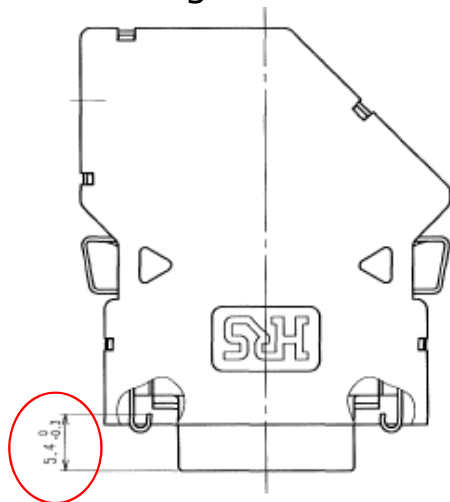
Changes

◆ Lock spring dimension change

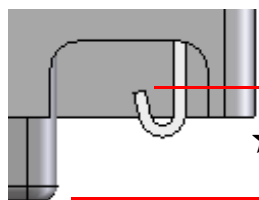
Setting <Before change>

Right angle plug

Assembled figure



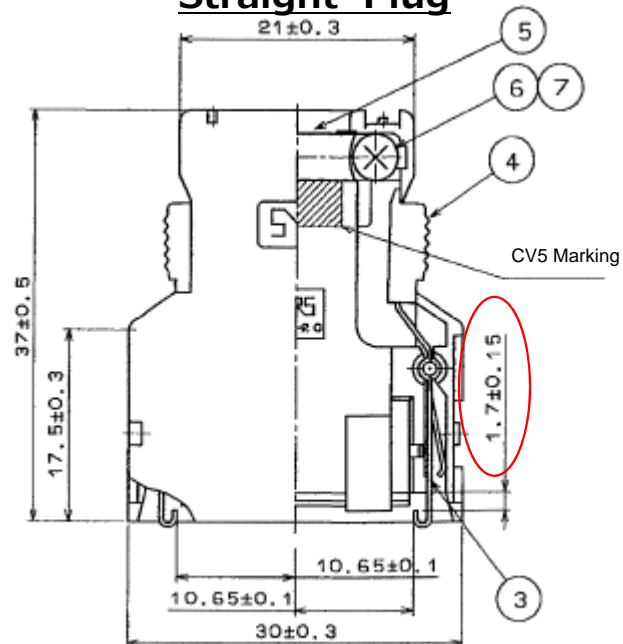
Setting <After change>



★ Unify to the setting after assembling the connector unit (setting of the right angle plug) and change the setting dimension to the following.

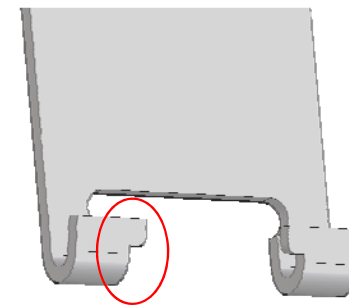
★ $5.4+0/-0.3 \Rightarrow \underline{5.07+0.275/-0.375 (4.695\sim5.345)}$

Straight Plug

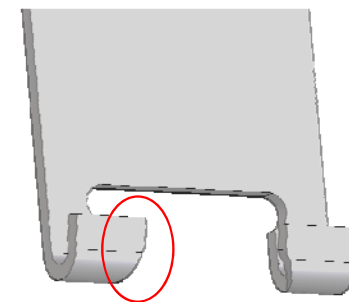


◆ Lock spring tip shape change

Shape <Before change>



Shape <After change>



By connecting the straight part gently, insertability is improved.

Acknowledgement

(Customer → Hirose Electric business representative)

Product Change Notification
Request for Your Acknowledgement

We acknowledge the changes and schedule of this notification.

Customer's name: _____

Acknowledgement stamp (or signature): _____

HIROSE ELECTRIC CO., LTD.

(Cut on this line)

Document Receipt

(Customer → Hirose Electric business representative)

Product Change Notification
Request for Your Acknowledgement

We received the document concerning the above.

Customer's name: _____

Acknowledgment stamp (or signature): _____

HIROSE ELECTRIC CO., LTD.